

FIGURES TO PART IV OF APPENDIX F

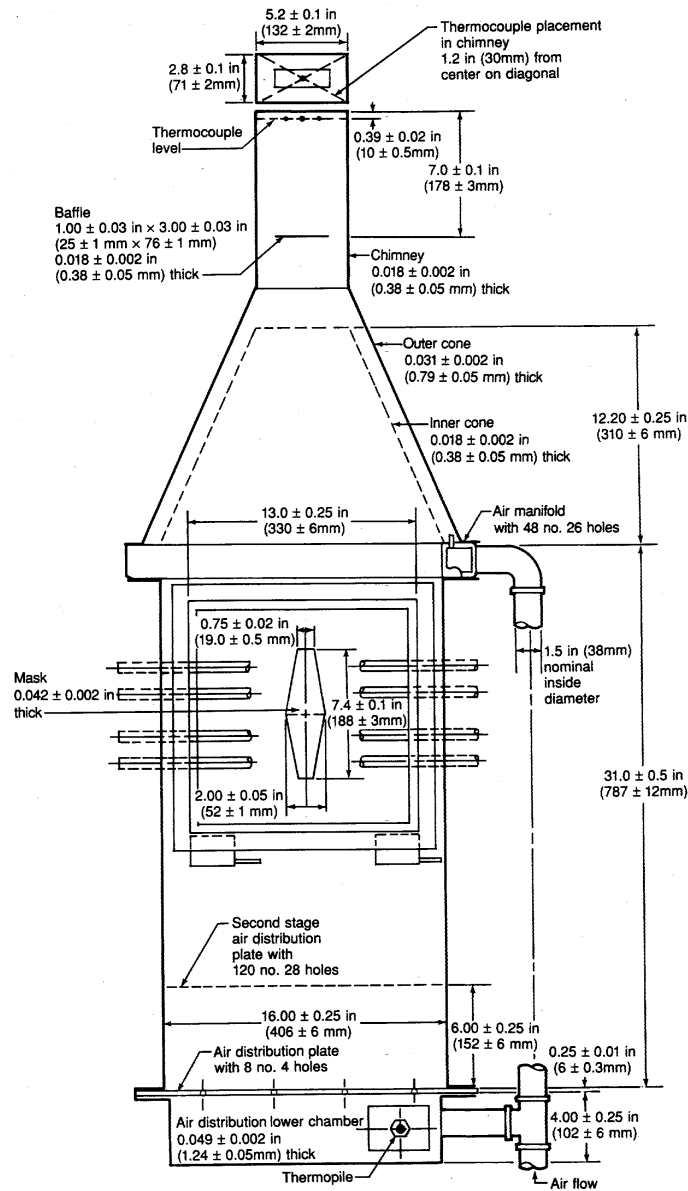


Figure 1A Rate of Heat Release Apparatus